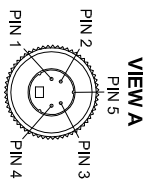
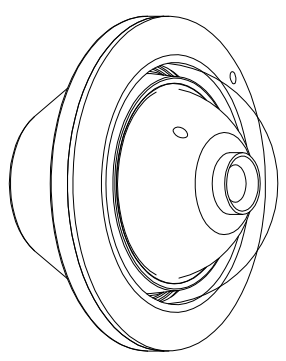
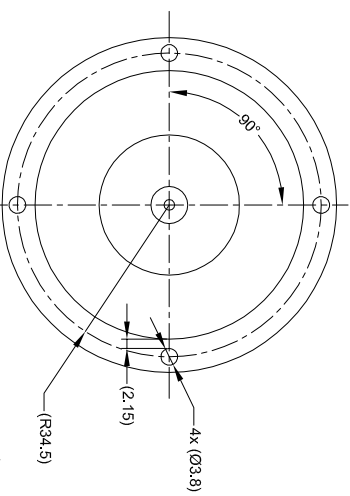
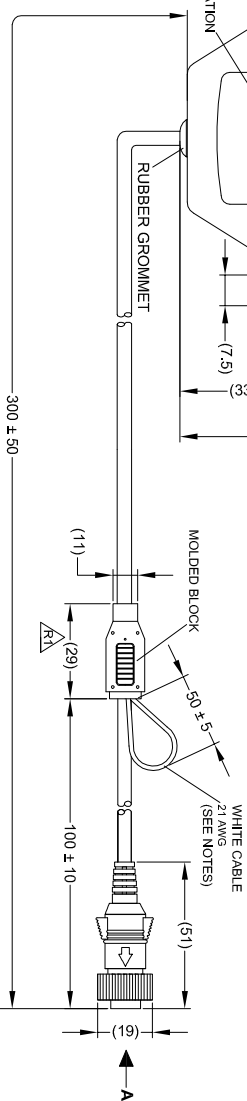
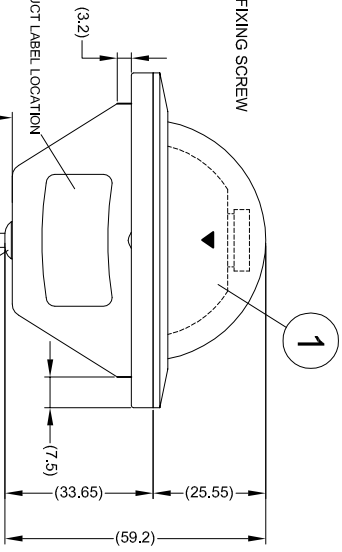
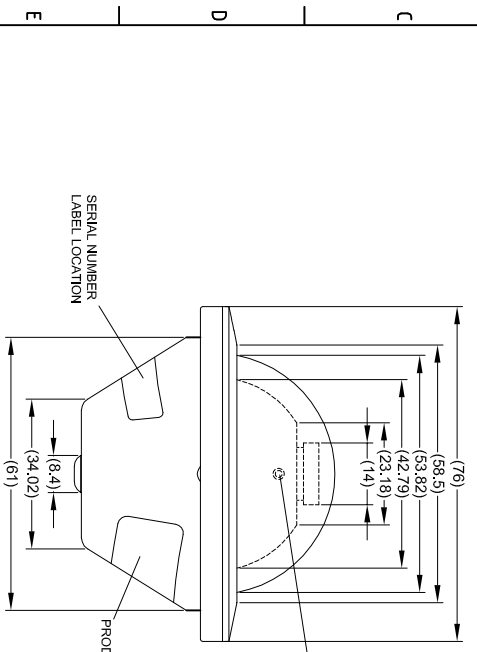


ITEM	PART NO.	QTY	DESCRIPTION
1	4913	1	MD-50-C CAMERA
2	-	1	MD-50-FIX FIXING KIT (NOT SHOWN)
3	4911	1	MD-50-IG INSTALLATION GUIDE (NOT SHOWN)



4 PIN MALE DIN MATING FACE

PIN #	DESCRIPTION	COLOR
1	VIDEO	YELLOW
2	NO CONNECTION	-
3	NO CONNECTION	-
4	12 VDC	RED
5	GROUND	BLACK



- NOTES:**
1. CUT WHITE CABLE FOR MIRROR IMAGE AND INSULATE EXPOSED WIRES.
 2. REFER TO PRODUCT SPECIFICATIONS FOR TECHNICAL DETAILS.
 3. FIXING KIT SUPPLIED WITH CAMERA CONSISTS OF ONE 1.5MM ALLEN KEY AND FOUR 27MM LONG SELF TAPPING SCREWS.
 4. FOR PRODUCT LABEL REFER TO LATEST REVISION OF BE-003136-XX-15.
 5. FOR SERIAL NUMBER LABEL REFER TO LATEST REVISION OF DRAWING BE-001698-XX-11.
 6. FOR GIFTBOX LABEL REFER TO LATEST REVISION OF DRAWING BE-003139-XX-15
 7. FOR PACKAGING LABEL REFER TO LATEST REVISION OF DRAWING BE-003140-XX-15.

PROPRIETARY NOTICE
 THIS DESIGN AND TECHNICAL INFORMATION APPEARING ON THIS DRAWING IS THE PROPERTY OF BRIGADE ELECTRONICS, AND IS DISCLOSED IN CONFIDENCE. IT IS NOT TO BE COPIED, REPRODUCED, REVEALED TO OR EXPROPRIATED BY OTHERS, EITHER IN WHOLE OR IN PART WITHOUT THE EXPRESS WRITTEN CONSENT OF BRIGADE ELECTRONICS.



Assembly Pl Approval K.WONG 		Approved by B.JOHN Units mm		Checked by M.BUTLER Released 15/06/15		Drawn by LIBRAR Assembly Ref MD-50	
Status RELEASED		Part No 4909		Part No BE-003136-01-15		Frame V3	